

Receiver

 Society
 Reference
 Address
 Phone
 Fax
 E-mail

From

 -
 -
 -

Item n° :

60168868

Model :

K 28/500 T IE2

Pump data

 MEI \geq 0,70

Pressure rating : 8 bar (800 kPa)

Min. fluid temperature : -15 °C

Max. fluid temperature : 110 °C

Max. Ambient temperature : 40 °C

Requested data

Flow : 0.00 l/min

Head : 0.00 m

Fluid : Water

Fluid Temperature : 20 °C

 Density : 62.315 lb/ft³

 Kinematic viscosity : 1.0769E-5 ft²/s

Vapor pressure : 2.20 kPa

Hydraulic data (duty point)

Flow :

Head :

NPSH :

Shaft power P2 :

Efficiency :

Materials

Pump body Cast iron 200 UNI ISO 185

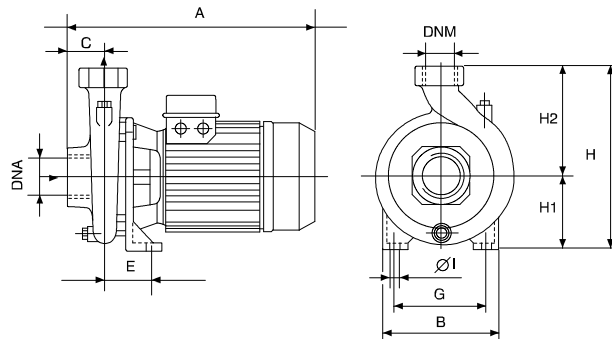
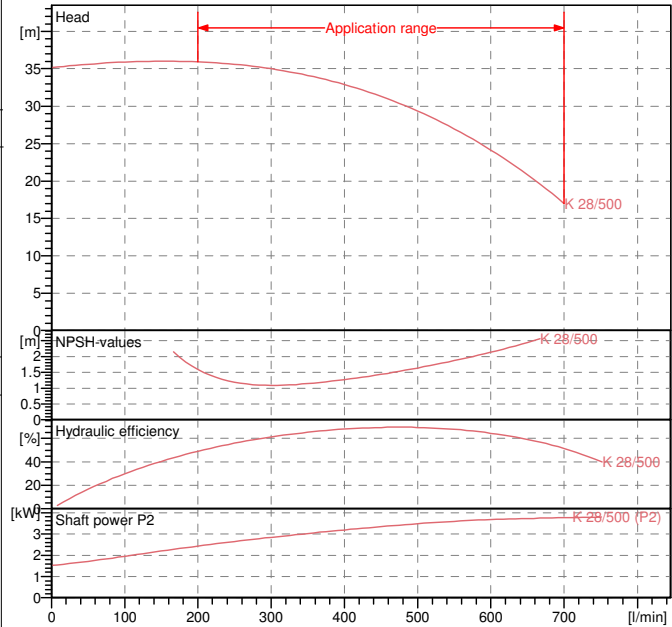
Support Cast iron 200 UNI ISO 185

Impeller Cast iron 200 UNI ISO 185

Mechanical seal Carbon/Ceramic

OR ring EPDM Rubber

Shaft with rotor AISI 303 X10 CrNiS 1809 UNI 6900/71

Curve tolerance according to ISO 9906

Weight : 89.506 lb

Motor data

Motor brand : DAB

Nominal power P2 : 4 kW

Rated speed : 2950 rpm

Rated voltage : 3~ 230 V / 400 V 50 Hz

Nominal current : 13.7 / 7.8 A

Degree of protection : IP 55

Dimensions in mm

A	440
B	240
C	62
DNA	2" 1/2 G
DNM	2" G
E	100
G	155
H	312
H1	132
H2	180
IØ	14

Pump connection

Suction side : 2" 1/2 G / 8 bar (800 kPa)

Discharge side : 2" G / 8 bar (800 kPa)



PERFORMANCE CURVES

2020-07-13

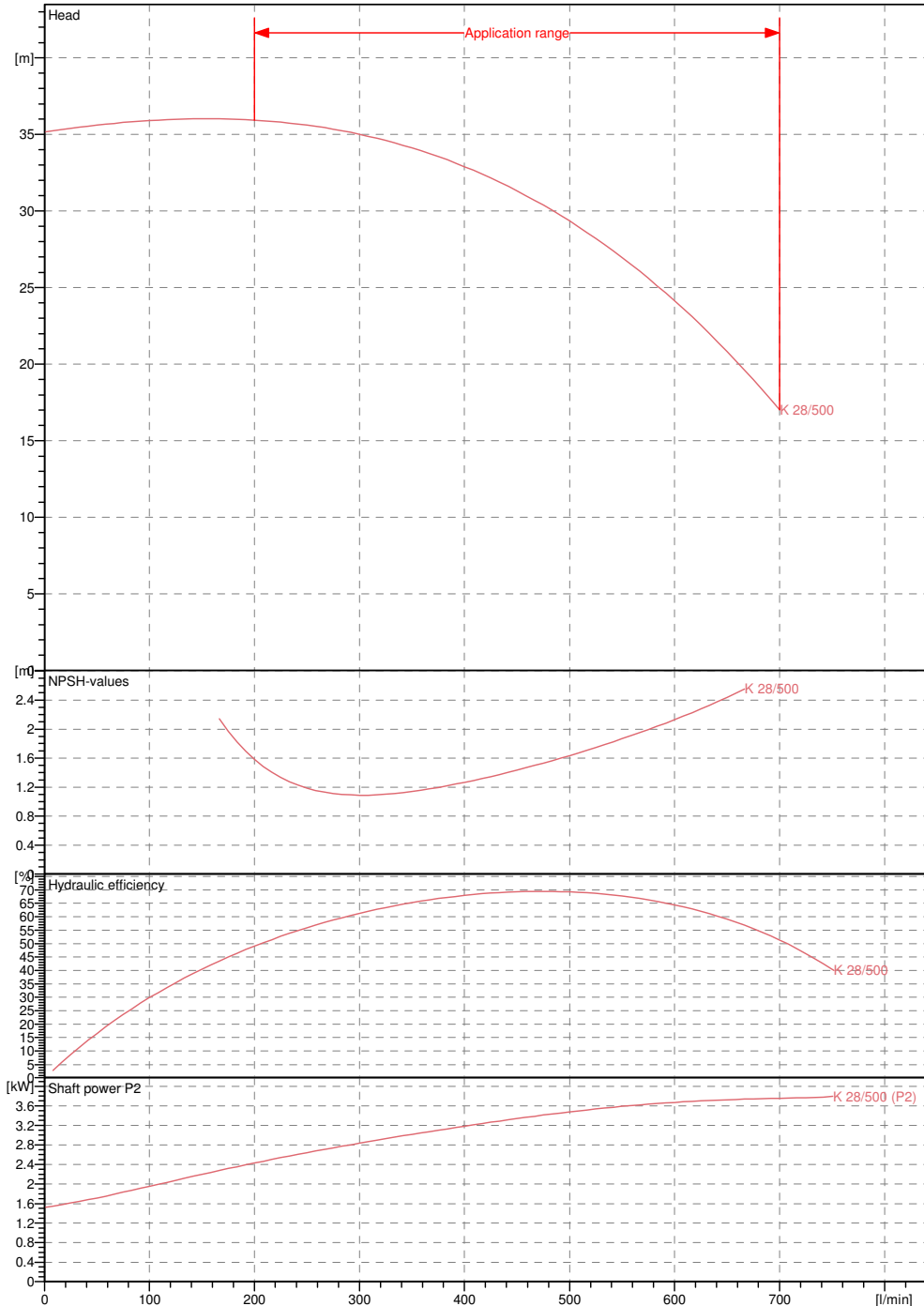
Page 4 / 5

DAB PUMPS S.p.A.
Via Marco Polo, 14 - 35035 Mestrino (PD), Italy
Tel. +39 049 5125000 - Fax +39 049 5125950
www.dabpumps.com

	Receiver	From
Society		-
Reference		-
Address		-
Phone		
Fax		
E-mail		

K 28/500 T IE2

Curve tolerance according to ISO 9906



Hydraulic data (duty point)

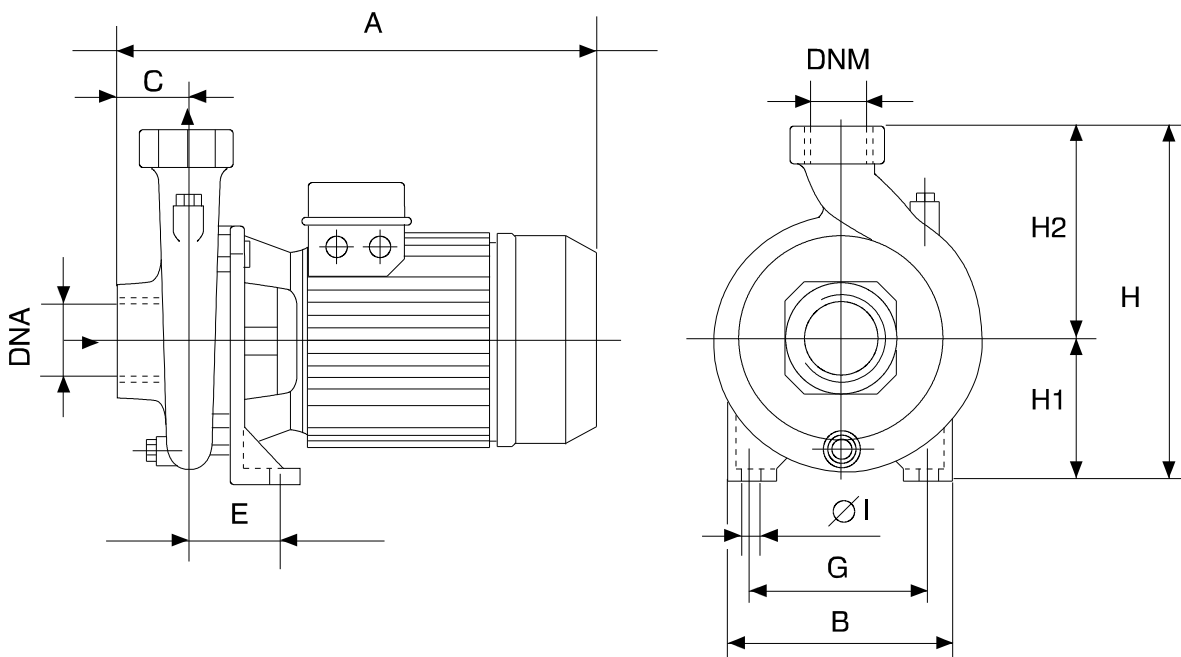
Suction side : 2" 1/2 G 8 bar (800 kPa)	Discharge side : 2" G 8 bar (800 kPa)	Flow : 0 l/min	Head : 0 m	Rated speed : 2950 rpm
Project	Project ID	Created by	Created on 2020-07-13	

Receiver

From

Society
 Reference
 Address
 Phone
 Fax
 E-mail

K 28/500 T IE2


Dimensions in mm

1	A	440	∅	14		
2	B	240				
3	C	62				
4	DNA	2" 1/2 G				
5	DNM	2" G				
6	E	100				
7	G	155				
8	H	312				
9	H1	132				
10	H2	180				

Pump connection

Suction
 2" 1/2 G
 8 bar (800 kPa)

Discharge
 2" G
 8 bar (800 kPa)

Project

Project ID

Created by

Created on

2020-07-13